

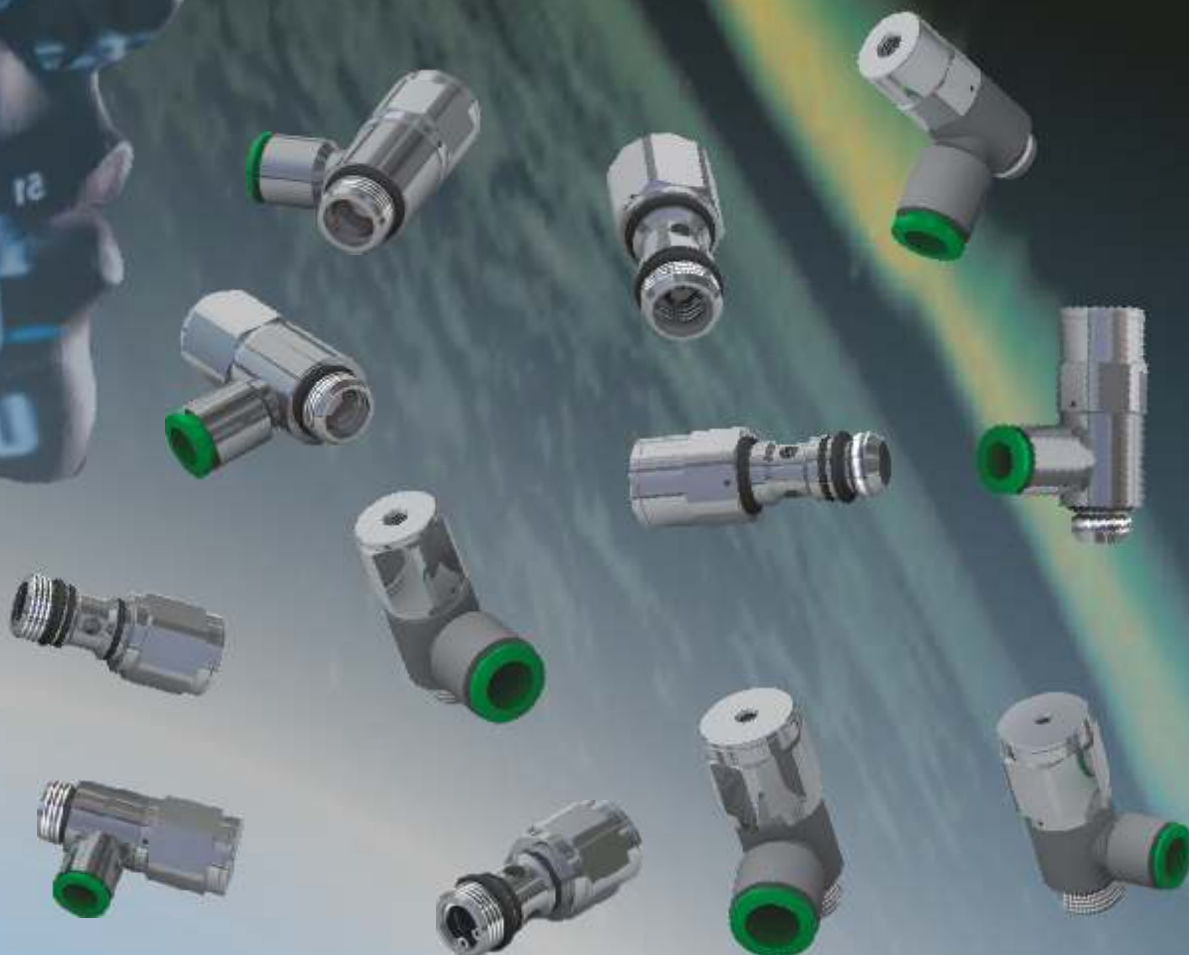
COMPONENTS FOR PNEUMATIC AUTOMATION



**PNEUMAX NEWS 52
BLOCKING VALVES**

G1/8" - G1/4"

G3/8" - G1/2"





INDEX:

PRODUCT PRESENTATION

Description
Constructive features

TECHNICAL FEATURES

Technical data
Pilot pressure curve

OVERALL DIMENSIONS

ORDERING CODES

PRODUCT PRESENTATION

Description

The blocking valves are used to maintain pressure in the downstream part of the pneumatic circuit even when the pressure supply is shut down.

Blocking valves are normally assembled directly on cylinders ports in order to maintain the position even in cases of accidental loss of the pilot pressure by preventing a sudden loss of pressure in the cylinder chambers.

Unidirectional and bidirectional version are both available.

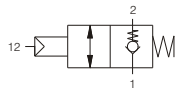
The unidirectional version allows free air to flow in one direction while requires a pneumatic signal to allow air flow in the opposite direction.

The bidirectional version requires a pressure signal to allow air flow in both of the two directions.

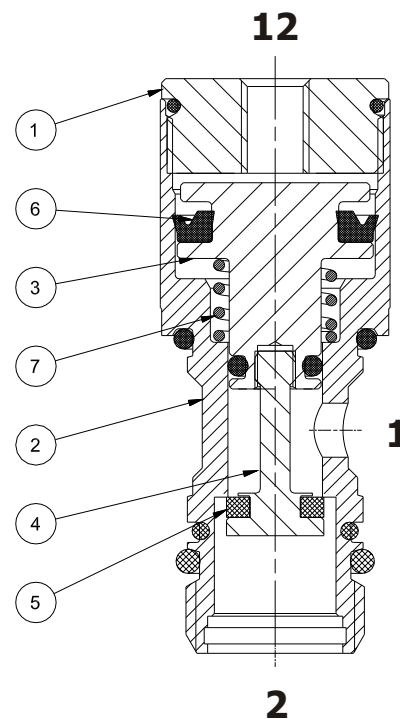
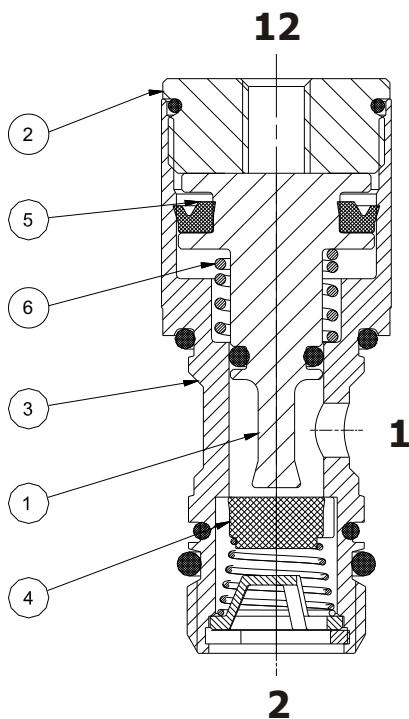
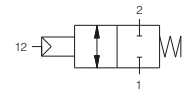
The blocking valve cannot be used as safety device.

Constructive features

UNIDIRECTIONAL VERSION



BIDIRECTIONAL VERSION



- 1 - Aluminium piston
- 2 - Brass plug
- 3 - Brass body
- 4 - FPM poppet (1/8" and 1/4" version)
PUR poppet (3/8" and 1/ 2" version)
- 5 - NBR seal
- 6 - Steel spring

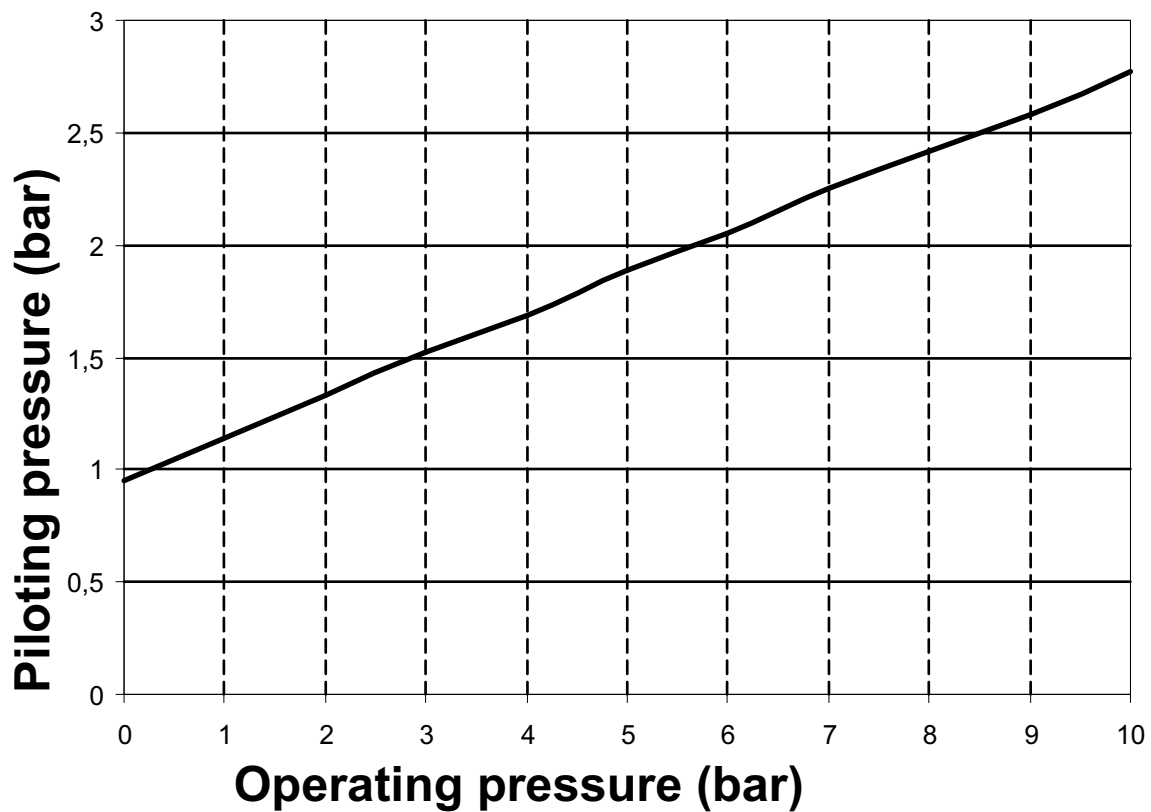
- 1 - Brass plug
- 2 - Brass body
- 3 - Aluminium piston
- 4 - Steel piston extension
- 5 - PUR poppet
- 6 - NBR seal
- 7 - Steel spring



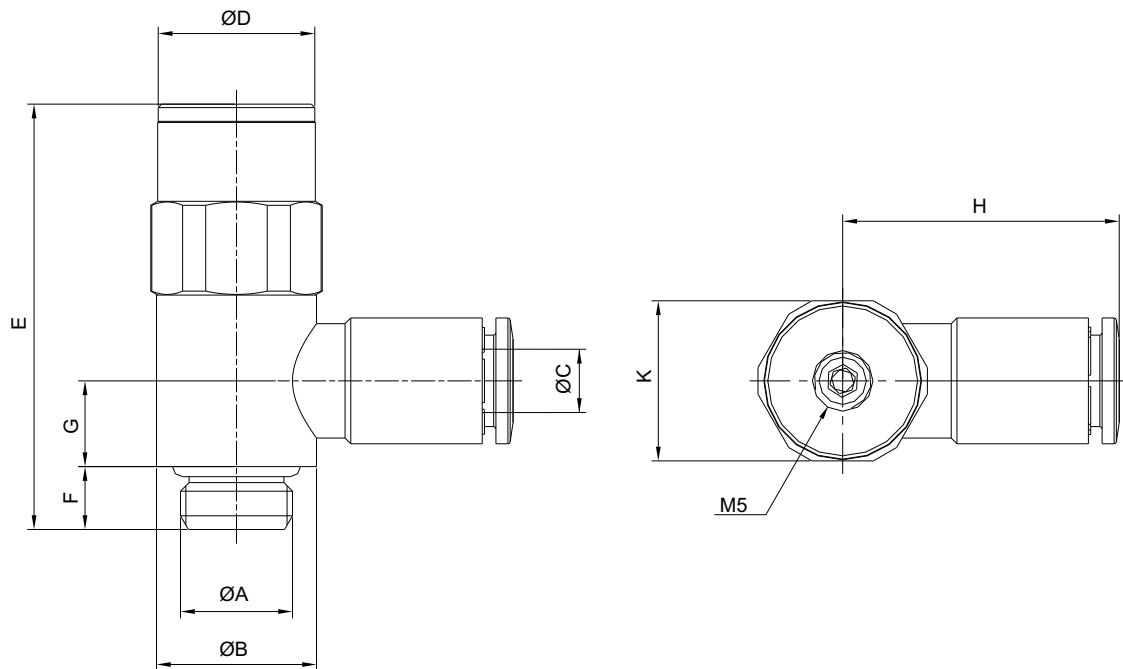
TECHNICAL FEATURES

Technical data		Unidirectional				Bidirectional			
		G1/8	G1/4	G3/8	G1/2	G1/8	G1/4	G3/8	G1/2
Working Fluid		Filtered and lubricated air, or not							
Working temperature	°C	5 ÷ 50							
Working pressure	bar	0.5 ÷ 10							
Flow rate at 6 bar Δp_1	NI/min	285	530	1000	1300	285	530	1000	1300
Flow rate at atm. press.	NI/min	450	800	1600	2600	450	800	1600	2600

Pilot pressure curve



OVERALL DIMENSIONS

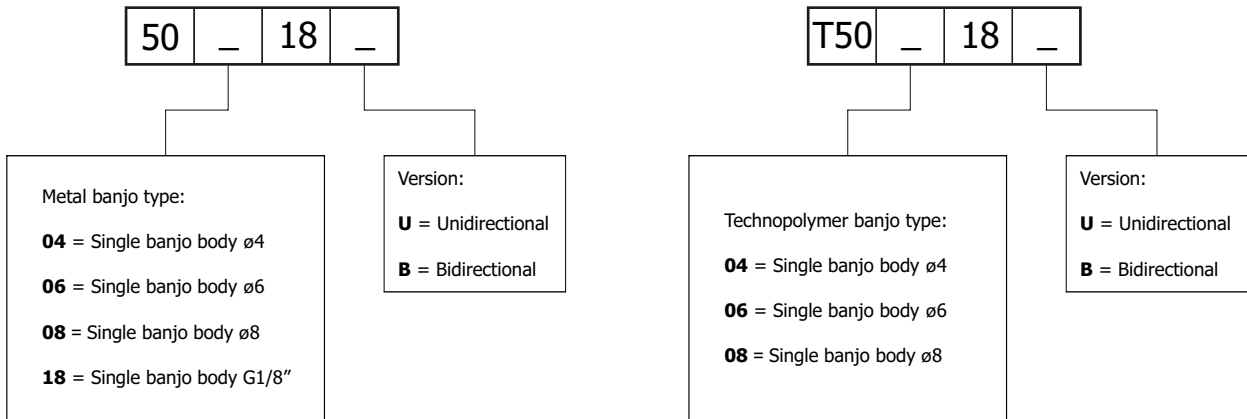


ORDERING CODES	ØA	ØB	ØC	ØD	E	F	G	H	K
500418U - 500418B - T500418U - T500418B	G1/8"	14	4	13.7	37.2	5.5	7.5	21.1	14
500618U - 500618B - T500618U - T500618B	G1/8"	14	6	13.7	37.2	5.5	7.5	24.3	14
500818U - 500818B - T500818U - T500818B	G1/8"	14	8	13.7	37.2	5.5	7.5	24.8	14
501818U - 501818B	G1/8"	14	G1/8"	13.7	37.2	5.5	7.5	20	14
500614U - 500614B - T500614U - T500614B	G1/4"	18	6	16.8	42.5	6.5	8.5	25.5	17
500814U - 500814B - T500814U - T500814B	G1/4"	18	8	16.8	42.5	6.5	8.5	26.5	17
501014U - 501014B - T501014U - T501014B	G1/4"	18	10	16.8	42.5	6.5	8.5	28.4	17
501414U - 501414B	G1/4"	18	G1/4"	16.8	42.5	6.5	8.5	24	17
500638U - 500638B	G3/8"	21	6	21.8	53.5	9	10	28	22
500838U - 500838B - T500838U - T500838U	G3/8"	21	8	21.8	53.5	9	10	28	22
501038U - 501038B - T501038U - T501038U	G3/8"	21	10	21.8	53.5	9	10	29.9	22
501238U - 501238B - T501238U - T501238B	G3/8"	21	12	21.8	53.5	9	10	31.4	22
503838U - 503838B	G3/8"	21	G3/8"	21.8	53.5	9	10	28.5	22
501212U - 501212B - T501212U - T501212B	G1/2"	26	12	26.8	65.5	11	12	34.9	27
501412U - 501412U	G1/2"	26	14	26.8	65.5	11	12	35.5	27
50G1212U - 50G1212B	G1/2"	26	G1/2"	26.8	65.5	11	12	34.5	27

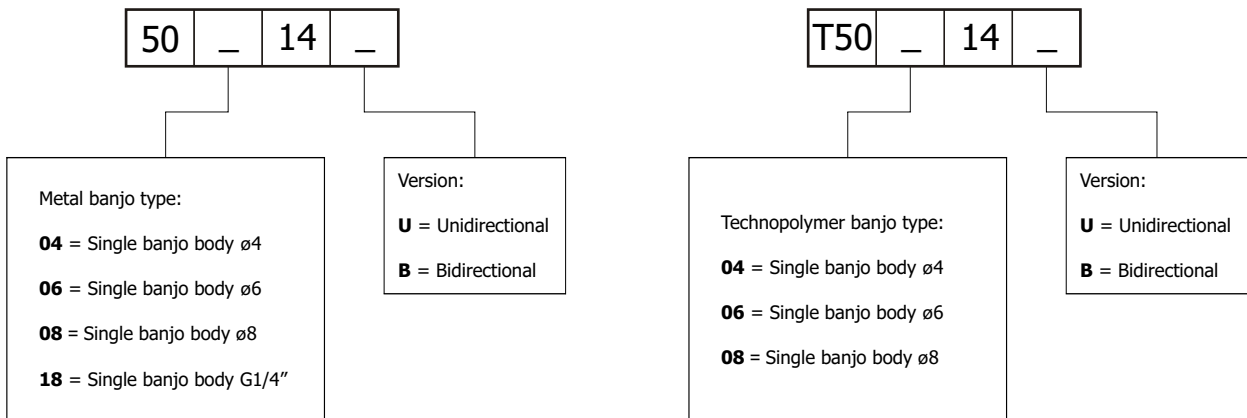


ORDERING CODES

Blocking valve - Size: 1/8"



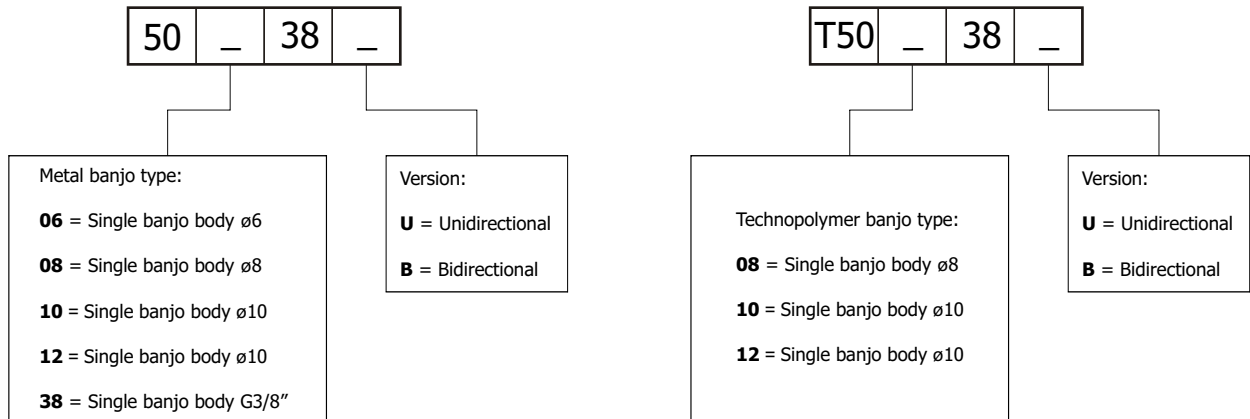
Blocking valve - Size: 1/4"



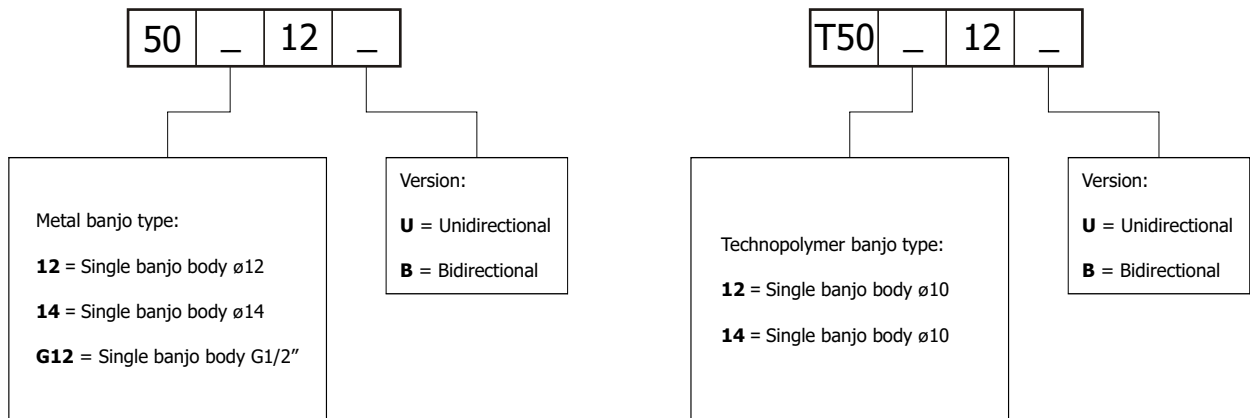


ORDERING CODES

Blocking valve - Size: 3/8"



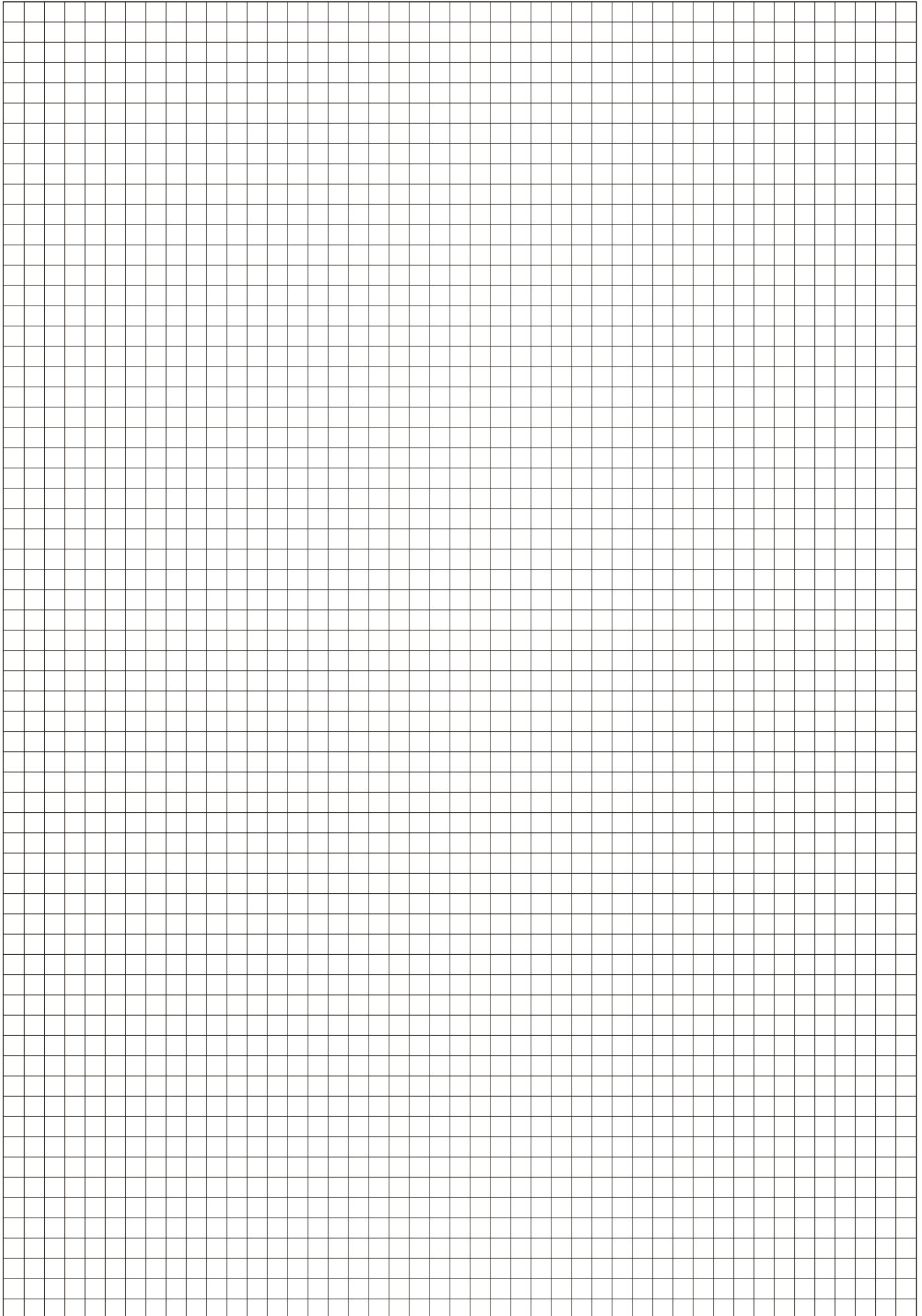
Blocking valve - Size: 1/2"





Series 50 - T50

Blocking Valves
G1/8" - G 1/4" - G3/8" - G1/2"





PNEUMAX S.p.A.
24050 LURANO (BG) - Italy
Via Cascina Barbellina, 10
Tel. 035/4192777
Fax 035/4192740
035/4192741
<http://www.pneumaxspa.com>
pneumax@pneumaxspa.com

D.NW. 52/GB - 01/2009
PRINTED IN ITALY - 01/2009

