

## M4C SERIES VANE MOTOR

High performance motors,  
max pressure up to 175 bar.

# HIGH PERFORMANCE VANE MOTOR M4C / M4SC

**M4C1**  
**M4C - 067 - 1 N 00 - A 1 02 \***

**Series external drain** ————

**Series internal drain** ————

**Torque**

024 = 0.39 Nm/bar  
027 = 0.45 Nm/bar  
031 = 0.55 Nm/bar  
043 = 0.74 Nm/bar  
055 = 0.93 Nm/bar  
067 = 1.13 Nm/bar  
075 = 1.27 Nm/bar

**Type of shaft**

1 - keyed (SAE B)  
2 - keyed (no SAE)  
3 - splined (SAE B)

**Rotation**

N - Bi-directional

\* S = Severe duty motor  
VM4C1-VM4SC1 : Drain port is plugged

**View from shaft end:**

CW rotation    A = inlet    B = outlet  
CCW rotation    A = outlet    B = inlet

**Modifications**

**Port connections**

01 = SAE threaded port  
SAE drain  
02 = SAE 4 bolt flange  
UNC threaded - SAE drain  
04 = SAE 4 bolt flange  
UNC threaded - BSPP drain  
M4 = SAE 4 bolt flange  
metric threaded - BSPP drain

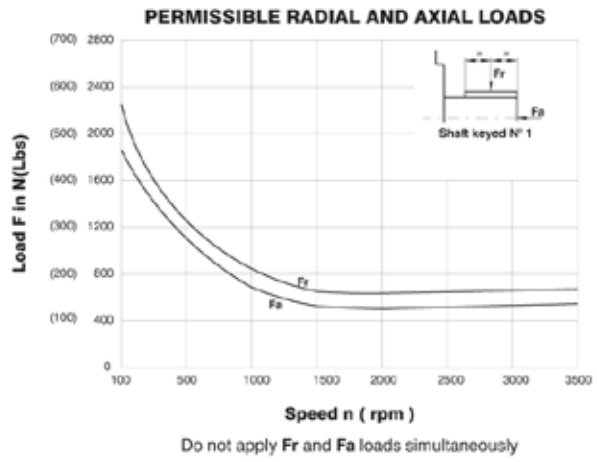
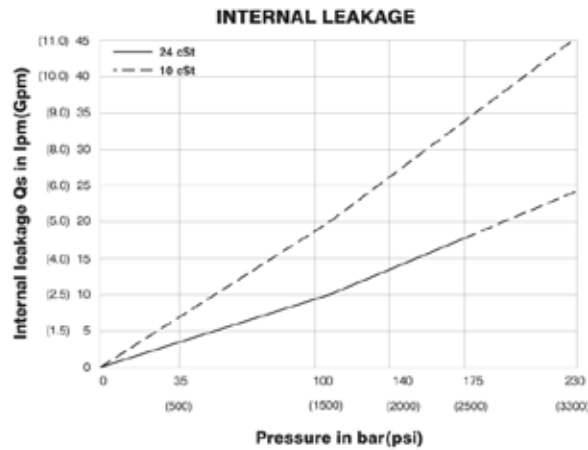
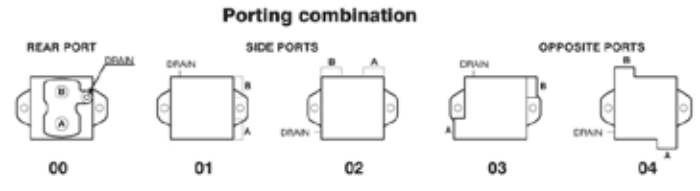
**Seal class**

1 - S1 (VMC)  
5 - S5 (VM4SC)

**Design letter**

**Porting combination**

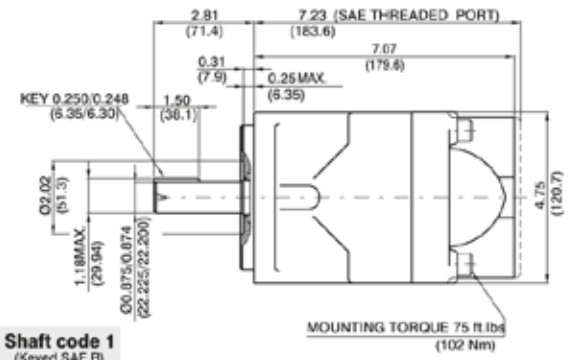
00 - standard



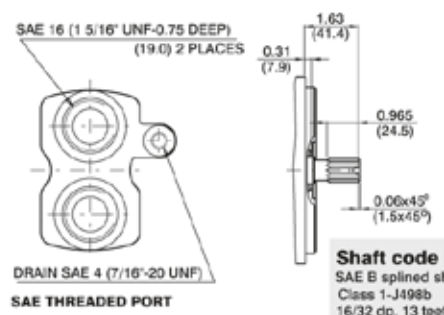
**OPERATING CHARACTERISTICS - TYPICAL (24 cSt)**

Model	Series	Volumetric Displacement Vi		Input flow at n = 2000 rpm				Torque T at n = 2000 rpm		Power output at n = 2000 rpm	
				Theoretical		at 175 bar (2500 psi) $\Delta p$		at 175 bar (2500 psi) $\Delta p$		at 175 bar (2500 psi) $\Delta p$	
		in <sup>3</sup> /rev	cm <sup>3</sup> /rev	GPM	l/min	GPM	l/min	in.lbf	Nm	HP	KW
<b>M4C-M4SC</b>	024	1.49	24.4	13.0	49.0	17.7	67.0	535.4	60.5	17.0	12.7
	027	1.72	28.2	14.8	56.0	19.5	74.0	619.5	70.0	19.7	14.7
	031	2.11	34.5	18.5	69.0	23.2	87.0	768.0	86.8	24.0	18.0
	043	2.84	46.5	24.6	93.0	29.3	111.0	1062.0	120.0	33.6	25.1
	055	3.59	58.8	31.2	118.0	36.0	136.0	1318.6	149.0	41.8	31.2
	067	4.34	71.1	37.5	142.0	42.3	160.0	1504.5	170.0	47.7	35.6
	075	4.89	80.1	42.3	160.0	47.0	178.0	1752.2	198.0	55.6	41.5

# HIGH PERFORMANCE VANE MOTOR M4C / M4SC

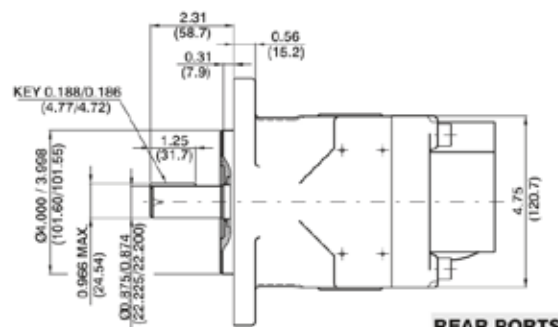


**Shaft code 1**  
(Keyed SAE B)

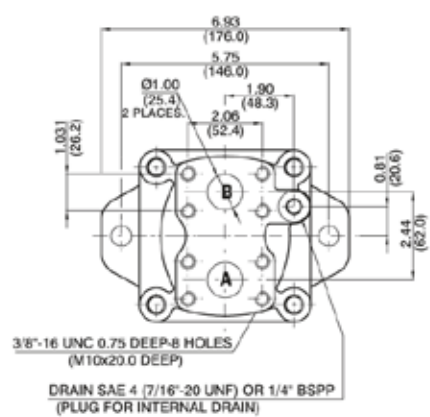


**SAE THREADED PORT**  
DRAIN SAE 4 (7/16"-20 UNF)

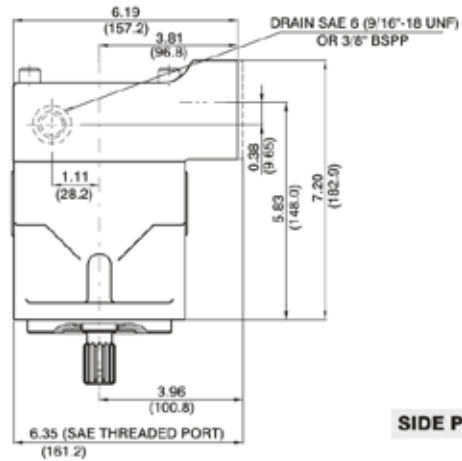
**Shaft code 3**  
SAE B splined shaft  
Class 1-J498b  
16/32 dp. 13 teeth  
30° pressure angle  
flat root side fit



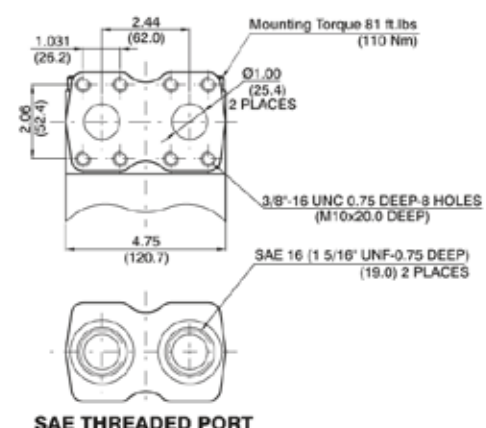
**Shaft code 2**  
(Keyed no SAE)



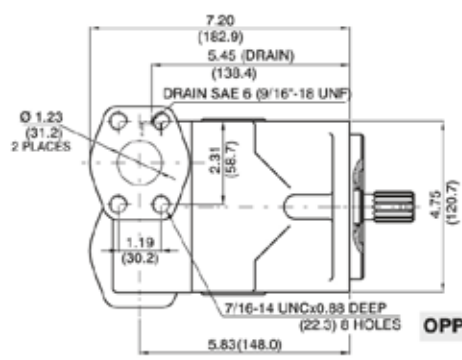
**REAR PORTS**  
DRAIN SAE 4 (7/16"-20 UNF) OR 1/4" BSPP (PLUG FOR INTERNAL DRAIN)



**SIDE PORTS**



**SAE THREADED PORT**



**OPPOSITE PORTS**

